

Positive Displacement Flow Meter

GF50 Series - Economy

Introduction

The GF50 positive displacement flow meter operates on the volumetric principle, using gearwheels that move in direct proportion to the flow rate. This movement of the gearwheels is measured by a sensor.

Equipped with ball bearings, the GF50 is ideal for non-lubricating fluids such as paints, glues, resins, and sealants.

Constructed from aluminum, the GF50 offers a cost-effective solution without compromising performance. It features the measuring range from 0.02 to 20 GPM (0.075 to 75 LPM), with optional pickups for pulse, analog, or combined analog and alarm outputs.



Features

Measuring Range:
0.02 to 20 GPM (0.075 to 75 LPM)

Various output

High accuracy and repeatability

Higher trundown ratio

Robust & Simple design

Ideal for high-viscosity fluids

Applications

Hydraulic / lubricating oil

Cooling liquid

Resin / glue / silica gel

Braking fluid measurement

OEM parts

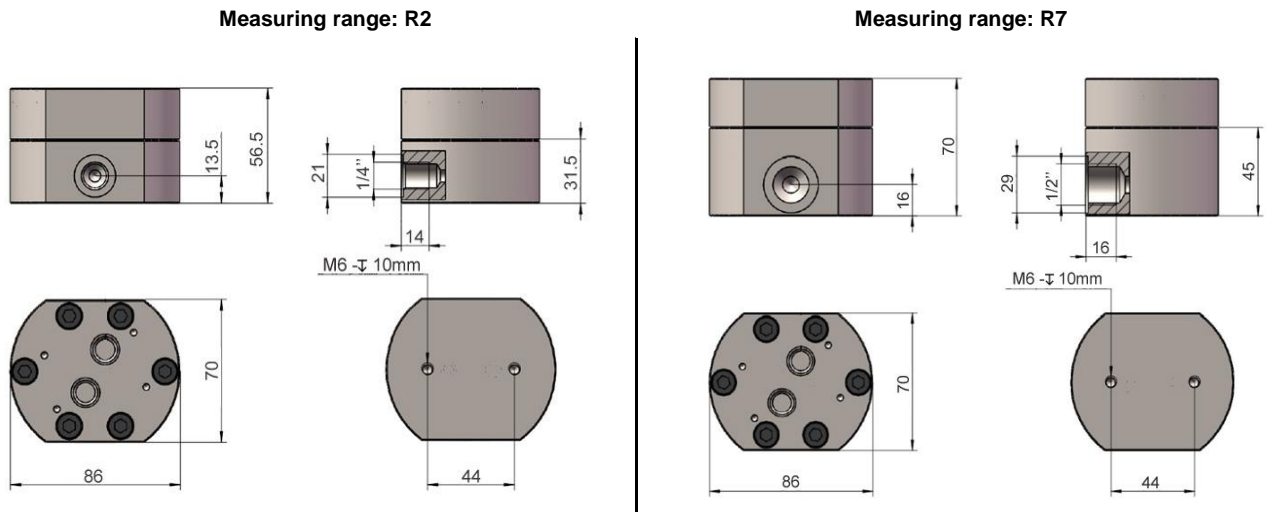
Specifications

Applicable Medium	Liquids
Accuracy	±1% of reading
Repeatability	±0.1% of reading
Pressure Rating	Up to 3600psi (250bar)
Medium Temperature	-40...210°F / -40...100°C
	See electronics order code for higher options
Materials	Housing: Aluminum
	Gear: Duplex SS
	Sealing: FPM / NBR / PTFE / EPDM
	Bearing: SS Ball Bearing
	Shaft: Tungsten Carbide
	Bolts: Carbon Steel

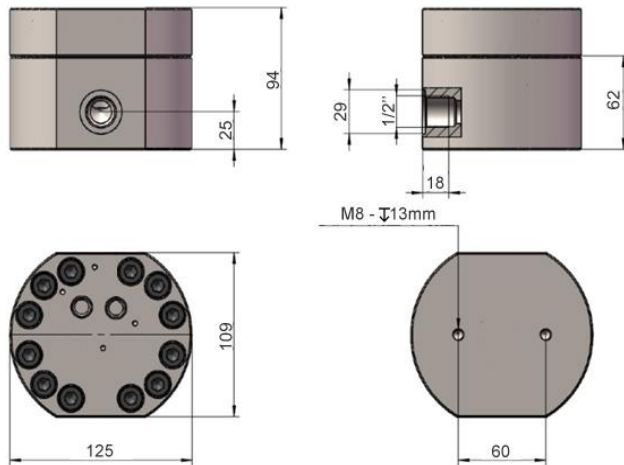
Measuring range

Part Code	End Fitting (Female Thread)	Measuring Range (GPM)	Measuring Range (LPM)	K Coefficient (PULSES/L)	Max. Filter Diameter (Micron)	Max. Pressure	
						psi	bar
R2	1/4" (NPT / BSPP)	0.02...2	0.075...7.5	4200	30	3600	250
R7	1/2" (NPT / BSPP)	0.07...7	0.25...25	1400	30		
R10	1/2" (NPT / BSPP)	0.1...10	0.40...40	840	30		
R20	3/4" (NPT / BSPP)	0.2...20	0.75...75	450	200		

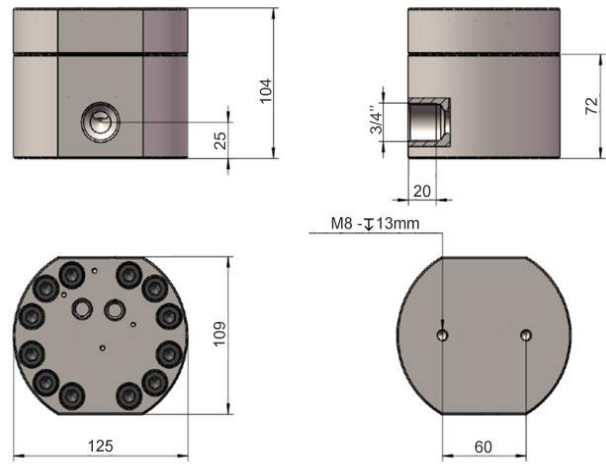
Dimension in mm



Measuring range: R10



Measuring range: R20



Order Code

Example: GF50-R7GFFSA

1. Model

GF50- Economy Positive Displacement Flow Meter

2. Measuring range

R2	0.02...2 GPM
R7	0.07...7 GPM
R10	0.1...10 GPM
R20	0.2...20 GPM

3. End Fitting

GF	G female thread
NF	NPT female thread
S	Other connections on request

4. Sealing Material

F	FPM (standard)
B	NBR
P	PTFE
E	EPDM

5. Housing Material

A	Aluminum
---	----------

Sensor Options

1. Model

S2000- For positive displacement flow meter

2. Output

P1	Pulse output
P2	Linearized pulse output
A	Analog output (4...20mA)
D	Local display with 4...20mA + Alarms
E	Ex-proof transmitter

3. Temperature

T1	-40...210°F (-40...100°C)
T2	-40...300°F (-40...150°C)
T3	-40...450°F (-40...230°C)

